

**FCM 'collar' on typical dome flashings**

When installing a VELUX FCM to replace an existing dome it is likely the FCM will be slightly different in size to the dome. If the FCM is slightly larger you will need to utilise an additional "collar" fitted around the dome flashing to accommodate the size difference and allow the FCM to fit properly.

The collar can be made using channel or angle – depending on the design of the dome flashing.

**\*\*\* These diagrams are to be used as a guide only. Any flashing and/or waterproofing supplied by the installer/roofer and must be suitable for the type of roofing material.**

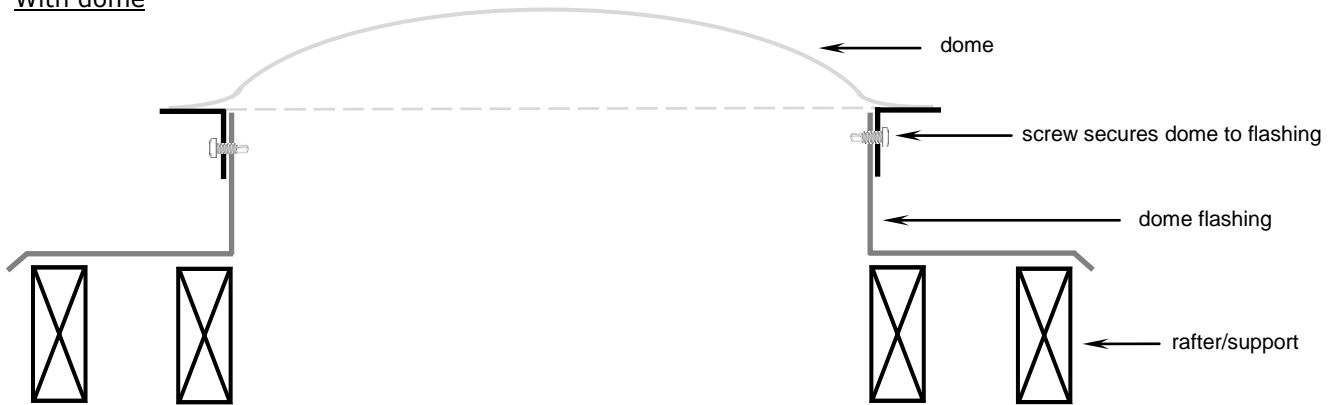
**The installation of the flashing onto the roof remains the responsibility of the installer.**



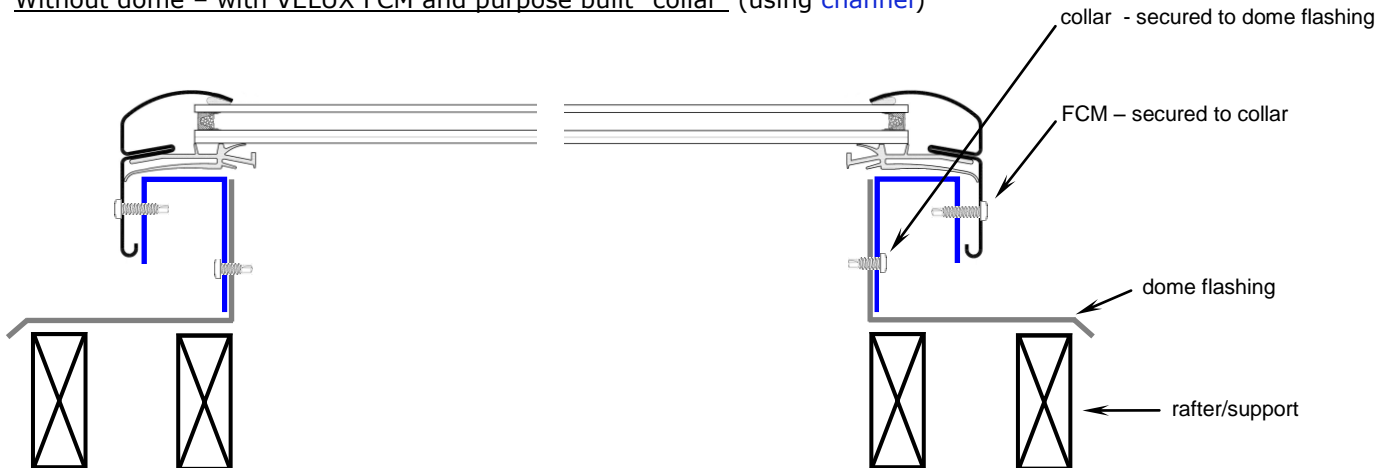
There are a number of 'typical' dome flashings – the examples below are some of the more common types.

Typical dome flashing #1

With dome

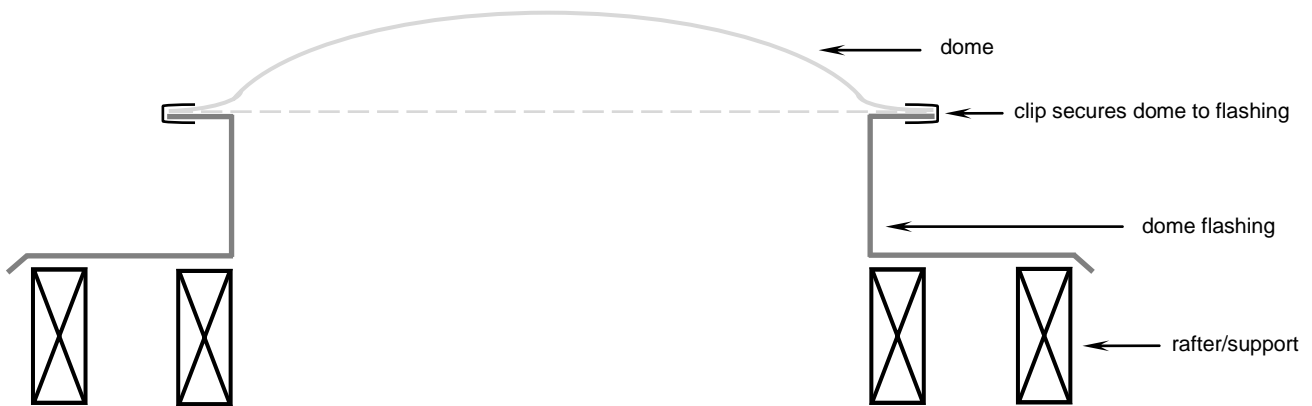


Without dome – with VELUX FCM and purpose built "collar" (using channel)

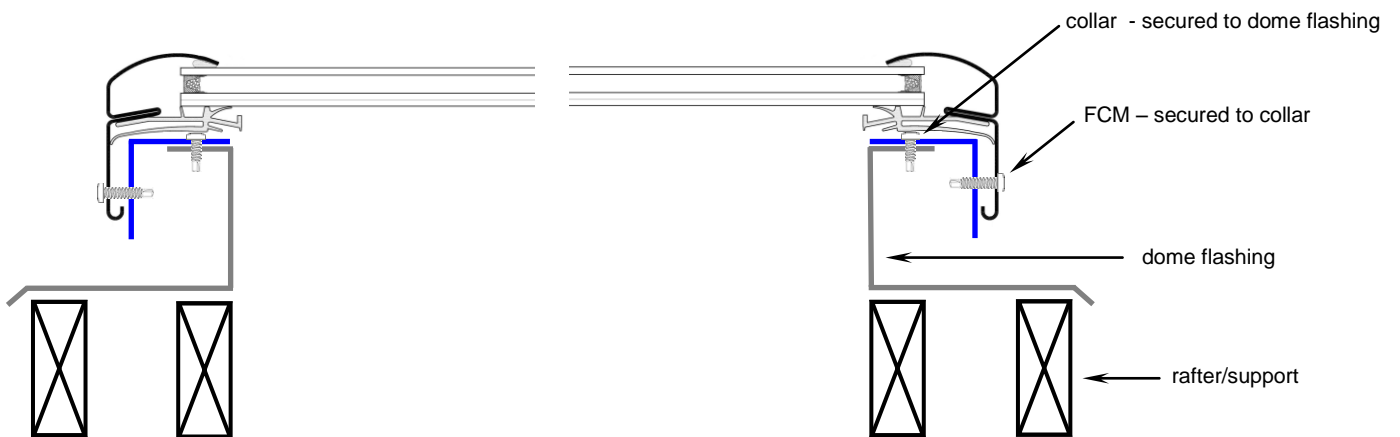


Typical dome flashing #2

With dome

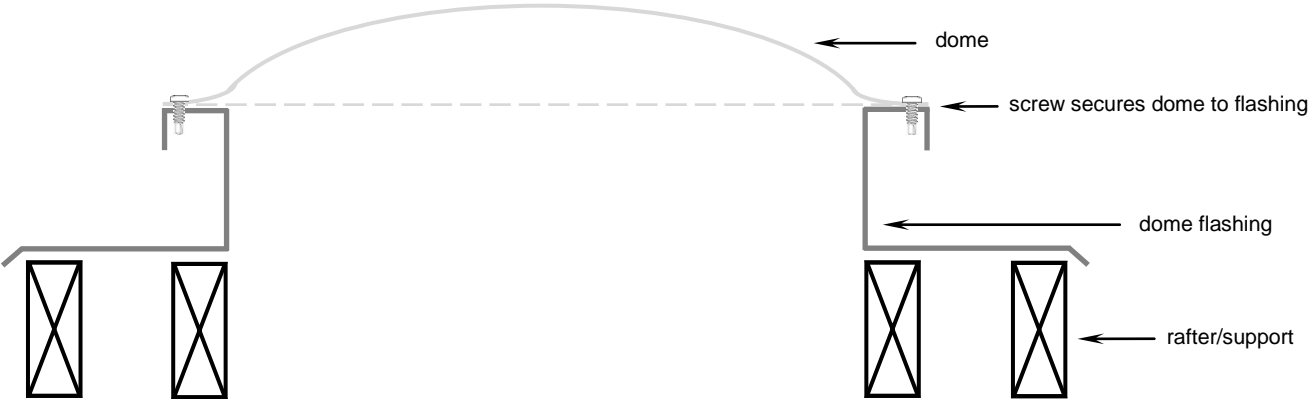


Without dome – with VELUX FCM and purpose built “collar” (using [angle](#))

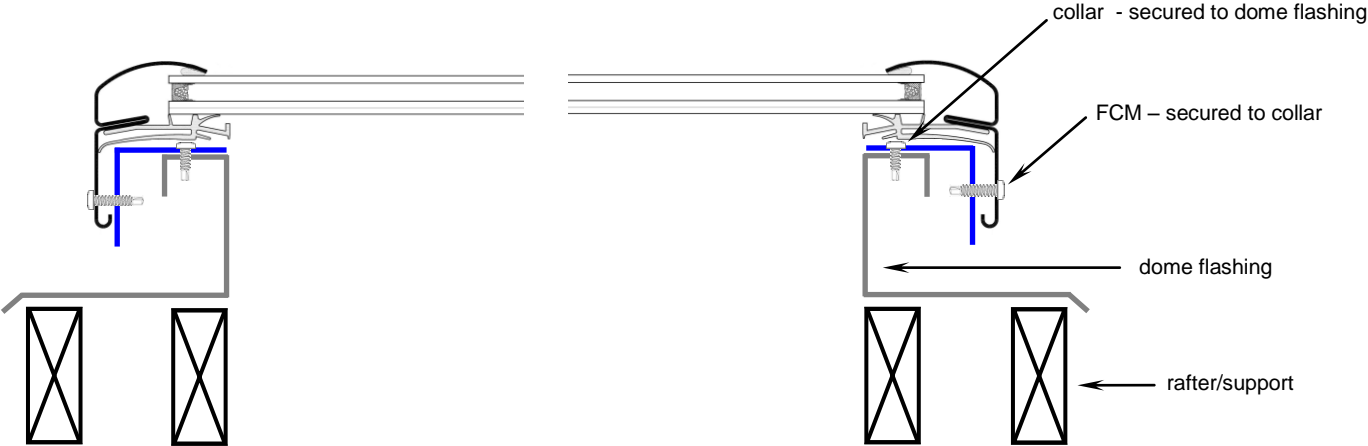


Typical dome flashing #3

With dome



Without dome - with VELUX FCM and purpose built "collar" (using angle)



\*\*\* If in doubt about any part of the existing flashing, trim it off and/or manufacture a new flashing to suit the FCM. (Contact VELUX for further details)